

SmartVerge® Linear Dry Verge System - Verge Unions

CODE **GLV-VU**

Product Codes:

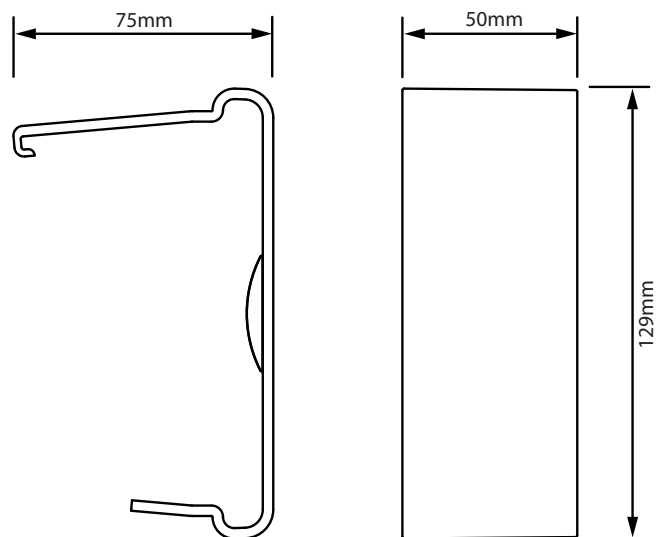
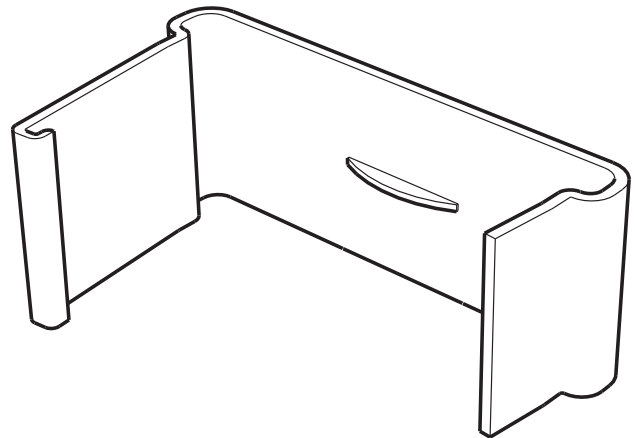
Verge Union	GLV-VU
-------------	---------------


Description:

The Manthorpe SmartVerge® Linear Dry Verge Verge Union can be used to cover a joint where two **GLV-LH** or **GLV-RH** Linear Verge Units abut each other.

For roofs where the bottom course tiles are tilted upwards, a **GLV-VU** Verge Union Clip should be used to join two Linear Verge Units abutting at different angles.

The Manthorpe SmartVerge® Verge Union is available in Slate Grey, Black, White, Terracotta and Dark Brown to compliment the full range of Linear Verge Units.

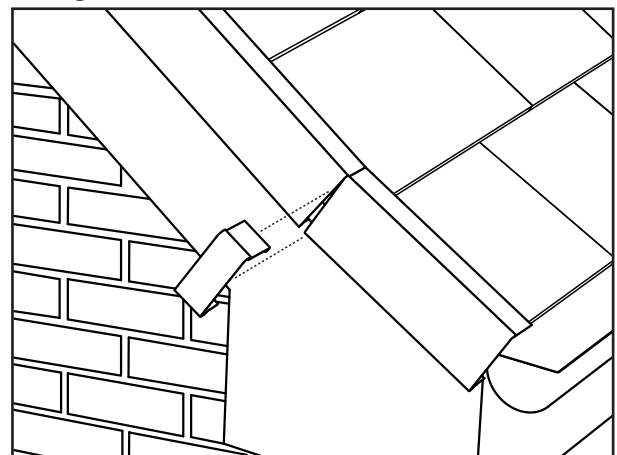


PACKING DETAILS	Verge Union Pack contains 2 Verge Unions plus Fixing Instructions. 10 Packs per Box.
WEIGHT	1.42 Kg per Box
MATERIAL	Unplasticized Polyvinyl Chloride (uPVC)
MANUFACTURING PROCESS	Injection Moulded
COLOUR VARIATIONS	 Slate Grey (GR) Black (BL) White (WH) Terracotta (TR) Dark Brown (BR)

References:

BSI: British Standard 5534:2003
BSI: British Standard 6399-2:1997
NHBC Standards Chapter 7.2

Fixing:



MANTHORPE BUILDING PRODUCTS LTD
 MANTHORPE HOUSE
 BRITAIN DRIVE
 CODNOR GATE BUSINESS PARK
 RIPLEY
 DERBYSHIRE DE5 3ND

TEL: 01773 514 200
 FAX: 01773 514 262
 EMAIL:
 sales@manthorpe.co.uk
 WEB
 www.manthorpe.co.uk

DRN R.P

Date 05.06.07

DRG No

Issue

The company maintains a policy of continuous development of its product range and reserves the right to amend the specification without notice.

MBP 8255

B