

## SmartVerge® Linear Dry Verge System - Fixing Clips

CODE **GLV-FC**

**Product Codes:**

**Fixing Clip**

**GLV-FC**

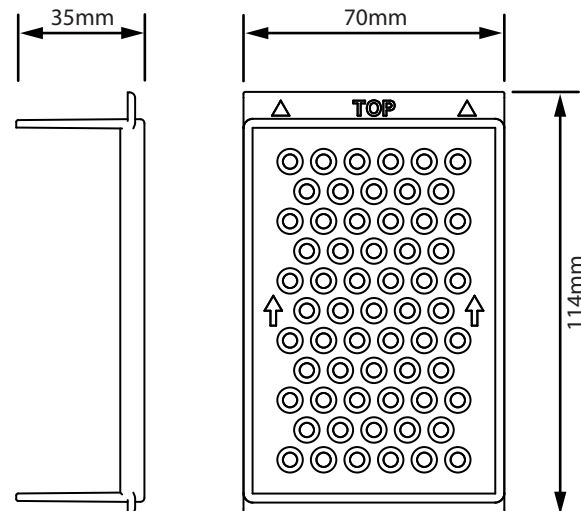
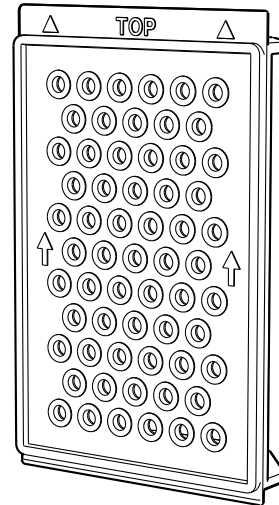
**Description:**


The Manthorpe SmartVerge® Linear Dry Verge Fixing Clip can be used to provide additional fixing points along the verge when fixing the **GLV-LH** or **GLV-RH** Linear Verge Units.

The **GLV-FC** Fixing Clip can be nailed to an additional batten strip fixed to the underside of the verge. The first Linear Verge Unit is then clipped securely over the Fixing Clip providing a strong fix to the eaves.

For roofs where the bottom course tiles are tilted upwards, two Fixing Clips can be used to secure a cut section of Linear Verge Unit to the verge, a third Fixing Clip should then be used to start the continuous run.

The design can be used on both the left and right hand verges and is completely concealed after installation of the system.

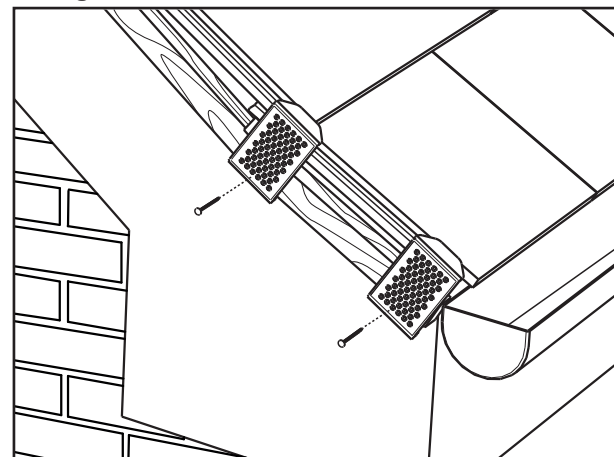


<b>PACKING DETAILS</b>	Fixing Clip Pack contains 2 Fixing Clips, 2 Nails and Fixing Instructions. 10 Packs per Box.
<b>WEIGHT</b>	1.20 Kg per Box
<b>MATERIAL</b>	Unplasticized Polyvinyl Chloride (uPVC)
<b>MANUFACTURING PROCESS</b>	Injection Moulded
<b>COLOUR VARIATIONS</b>	Slate Grey (GR) (not visible when installed) 

**References:**

**BSI: British Standard 5534:2003**  
**BSI: British Standard 6399-2:1997**  
**NHBC Standards Chapter 7.2**

**Fixing:**



MANTHORPE BUILDING PRODUCTS LTD  
 MANTHORPE HOUSE  
 BRITAIN DRIVE  
 CODNOR GATE BUSINESS PARK  
 RIPLEY  
 DERBYSHIRE DE5 3ND

TEL: 01773 514 200  
 FAX: 01773 514 262  
 EMAIL:  
 sales@manthorpe.co.uk  
 WEB  
 www.manthorpe.co.uk

DRN R.P

Date 05.06.07

DRG No

Issue

The company maintains a policy of continuous development of its product range and reserves the right to amend the specification without notice.

**MBP 8254**

**B**