

# Technical Datasheet

## C01 SLATE DRY VERGE

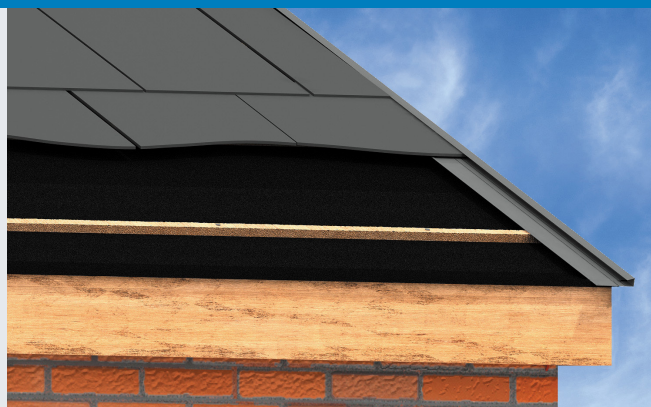


### Product Details

The Kytun Slate Dry Verge System permanently secures slate applications on gable ends protecting the verge from wind uplift and rain.

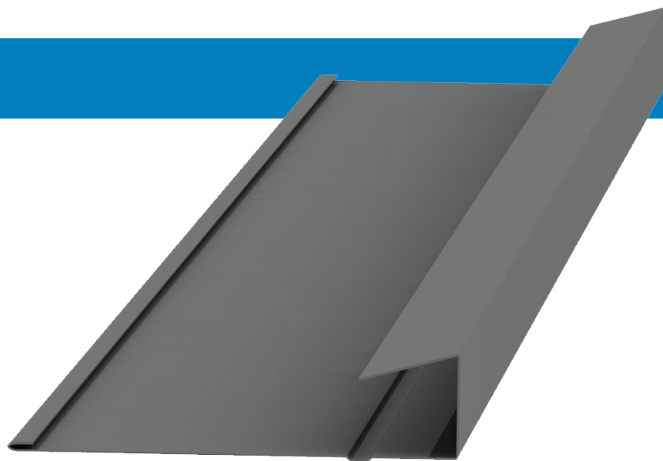
The Slate Dry verge System can be used with both interlocking slates and double lap natural or fibre cement slates.

The components are manufactured from high grade pre-primed polyester coated aluminium.



### Product Features

- Provides full wind uplift and rain protection.
- Patented 'Drip System' which allows for self drainage of rain water into the gutter.
- Extremely easy and quick to install.
- Requires no maintenance once installed.
- Can be fully customised.
- Extensive range of colours available.

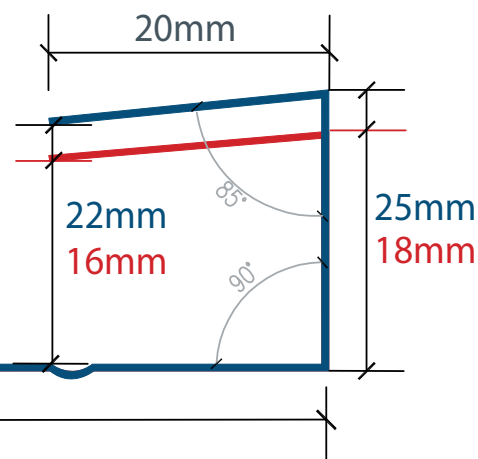


### Dimensions

C01 Slate Trim  
Type 1 Aluminium

Overall length: 2400mm

- Natural Slate
- Standard Slate



Kytun (UK) Ltd.  
Brook House, Stock Lane  
Halifax, West Yorkshire  
HX2 7RU

T: +44 (0) 1684 293702  
E: info@kytun.com

[www.kytun.com](http://www.kytun.com)