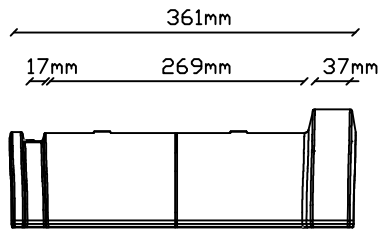
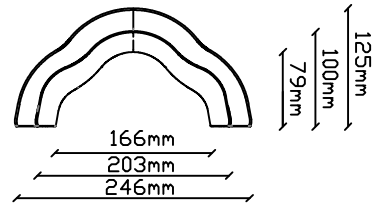


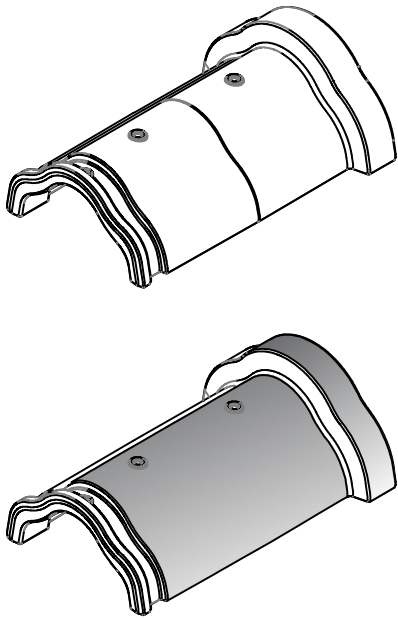
Elevation



Side elevation



3D sketch



Plan view

